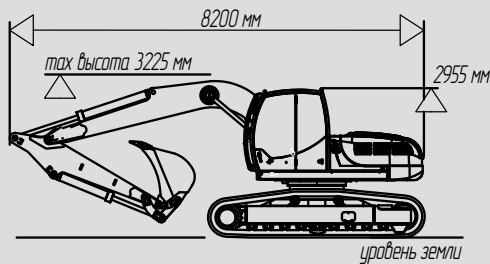


E200C



SPECIFICATIONS	E200C			
Track shoe width, mm	600	800	1000	1200
Operating weight, t (stick 2,530 / 3,000 / 3,600 mm)	19,3 19,5 19,7	19,8 20,0 20,2	20,3 20,5 20,7	21 21,2 21,4

ENGINE	
Model	Deutz BF 4M 2012 C
Power, kW (hp)	87 (117) at 2,100 rpm 90 (122) at 2,200 rpm

UNDERCARRIAGE	
Ground clearance, mm	446
Max travel speed, kmph	3,4
Ground pressure, kg/cm ²	0,46 0,35 0,29 0,25

WORKING RANGES & PARAMETERS	
Cycle, sec	13,5
Stick, mm	2530* 3000 3600
Bucket capacity, m ³	1,1/1,25** 0,8/1 0,65/0,8
Max digging depth, mm	6190 6660 7260
Max digging reach, mm	9200 9650 10230
Max dumping height, mm	5970 6250 6600

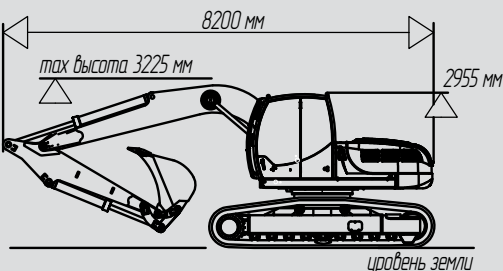
DIMENSIONS	
Overall length, mm	8180 8190 8190
Overall width, mm	2800 3000 3200 3600
Overall height of boom, mm	2980 2960 3170
Overall height of cab, mm	2955 2955 2955

* standard stick

** bucket for materials with the density of up to 1,400 kg/m³

key advantages

E200NC



SPECIFICATIONS	E200NC
Track shoe width, mm	600
Operating weight, t (stick 2,530 / 3,000 mm)	18,5 or 19,5*** / 19,7****

ENGINE	
Model	Deutz BF 4M 2012 C
Power, kW (hp)	87 (117) at 2,100 rpm 90 (122) at 2,200 rpm

UNDERCARRIAGE	
Ground clearance, mm	446
Max travel speed, kmph	3,4 / 5,5****
Ground pressure, kg/cm ²	0,44 or 0,46 / 0,47

WORKING RANGES & PARAMETERS	
Cycle, sec	13,5
Stick, mm	2530* 3000
Bucket capacity, m ³	0,36...0,8/1,0** 0,65
Max digging depth, mm	6190 6660
Max digging reach, mm	9200 9650
Max dumping height, mm	5970 6250

DIMENSIONS	
Overall length, mm	8180 8190
Overall width, mm	2500 2500
Overall height of boom, mm	2980 2960
Overall height of cab, mm	2955 2955

* standard stick

** bucket for materials with the density of up to 1,400 kg/m³

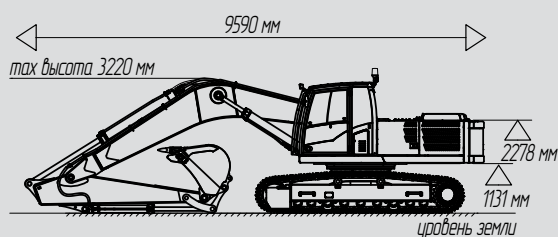
*** machine with heavier counterweight, higher hood system and larger radiators' unit

**** machine with track drive PMP 3000

key advantages


TX220 NLC/LC

CRAWLER EXCAVATORS

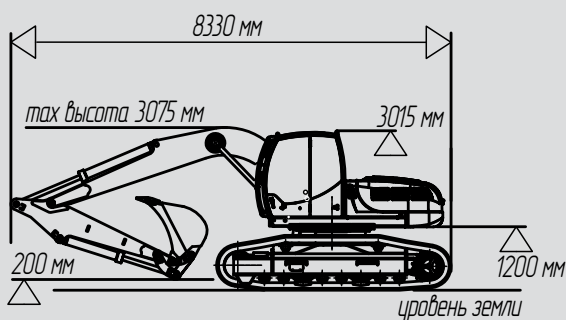


SPECIFICATIONS	TX220 NLC			TX220 LC		
	Track shoe width, mm	500	600	600	750	900
Operating weight, t (stick 2,530 / 3,000 / 3,600 mm)	23			23,1		
ENGINE						
Model	YaMZ 536					
Power, kW (hp)	147 (200)					
UNDERCARRIAGE						
Ground clearance, mm	500					
Max travel speed, kmph	5,5					
Ground pressure, kg/cm ²	0,57	0,48	0,48	0,38	0,32	0,29
WORKING RANGES & PARAMETERS						
Cycle, sec	12					
Stick, mm	2000	2400	2920*	3500		
Bucket capacity, m ³	0,65	0,9	1,0	1,25		
Max digging depth, mm	5820	6210	6730	7320		
Max digging reach, mm	9130	9570	10010	10570		
Max dumping height, mm	6500	6900	7010	7320		
DIMENSIONS						
Overall length, mm	9750	9570	9590	9750		
Overall width, mm	from 2,500 to 2,600		from 3,000 to 3,400			
Overall height of cab, mm	3030					
Overall height of boom, mm	3080	3080	3220	3380		

* standard stick

 key advantages


E220C



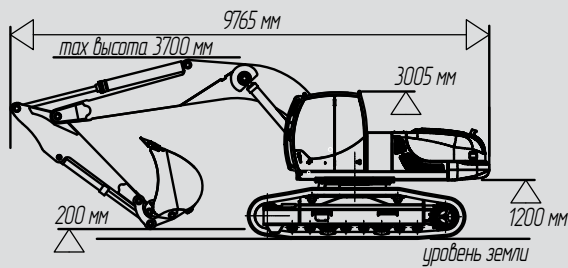
SPECIFICATIONS	E220C		
	Track shoe width, mm	600	800
Operating weight, t (stick 2,530 / 3,000 / 3,600 mm)	21 21,2 21,4	21,5 21,7 21,9	22 22,2 22,4
ENGINE			
Model	CUMMINS KAMA QSB 4.5		
Power, kW (hp)	120 (163)		
UNDERCARRIAGE			
Ground clearance, mm	520		
Max travel speed, kmph	3,4		
Ground pressure, kg/cm ²	0,49	0,37	0,31
WORKING RANGES & PARAMETERS			
Cycle, sec	13,5		
Stick, mm	2530*	3000	3600
Bucket capacity, m ³	1,25	1	0,65/0,8/1,0**
Max digging depth, mm	6080	6550	7150
Max digging reach, mm	9200	9650	10230
Max dumping height, mm	6080	6360	6710
DIMENSIONS			
Overall length, mm	8290	8310	7310
Overall width, mm	3000	3200	3400
Overall height of boom, mm	2965	3110	2635
Overall height of cab, mm	3015	3015	3015

* standard stick

** bucket for materials with the density of up to 1,400 kg/m³

 key advantages

E240C



SPECIFICATIONS E240C

Track shoe width, mm	600	800	1000
Operating weight, t (stick 2,700 / 3,400 / 4,000 mm)	24,8	25,3	25,8
	25	25,5	26
	25,2	25,7	26,2

ENGINE

Model	Deutz BF 6M 2012 C EMR2 (Germany)
Power, kW (hp)	131 (176) at 2,100 rpm

UNDERCARRIAGE

Ground clearance, mm	520
Max travel speed, kmph	4,5
Ground pressure, kg/cm ²	0,57 0,43 0,35

WORKING RANGES & PARAMETERS

Cycle, sec	13,5		
Stick, mm	2700*	3400	4000
Bucket capacity, m ³	1,25	1	0,8
Max digging depth, mm	6870	7570	8170
Max digging reach, mm	10245	10920	11520
Max dumping height, mm	7660	8220	8690

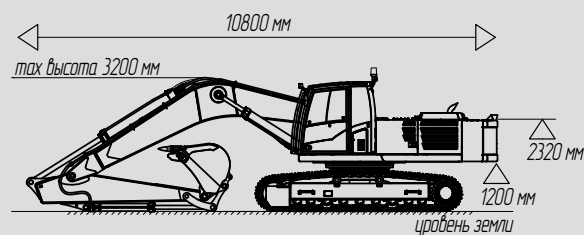
DIMENSIONS

Overall length, mm	9800	9660	9380
Overall width, mm	3000	3200	3400
Overall height of boom, mm	3540	3925	4330
Overall height of cab, mm	3005	3005	3005

* standard stick

key advantages

TX270



SPECIFICATIONS TX270

Track shoe width, mm	600
Operating weight, t	29,9

ENGINE

Model	YaMZ 536
Power, kW (hp)	147 (200)

UNDERCARRIAGE

Ground clearance, mm	500
Max travel speed, kmph	5,2
Ground pressure, kg/cm ²	0,6

WORKING RANGES & PARAMETERS

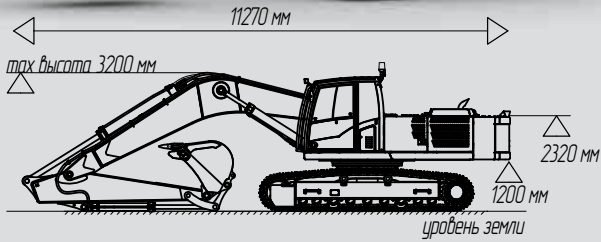
Cycle, sec	14
Stick, mm	3000
Bucket capacity, m ³	1,22
Max digging depth, mm	7100
Max digging reach, mm	10500
Max dumping height, mm	7250

DIMENSIONS

Overall length, mm	10800
Overall width, mm	3200
Overall height of boom, mm	3200
Overall height of cab, mm	3090

key advantages

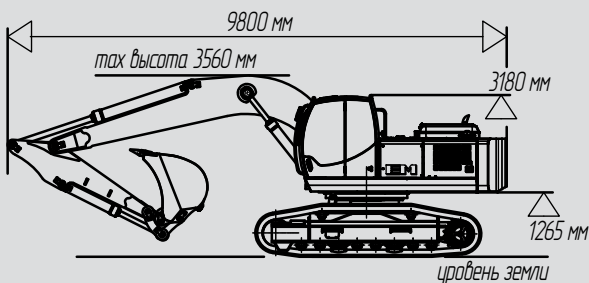
TX300



SPECIFICATIONS		TX300	
Track shoe width, mm		600	
Operating weight, t		32,85	
ENGINE			
Model		YaMZ 536	
Power, kW (hp)		190 (258,4)	
UNDERCARRIAGE			
Ground clearance, mm		500	
Max travel speed, kmph		5,2	
Ground pressure, kg/cm ²		0,65	
WORKING RANGES & PARAMETERS			
Cycle, sec		16	
Stick, mm		3200	
Bucket capacity, m ³		1,45	
Max digging depth, mm		7640	
Max digging reach, mm		11290	
Max dumping height, mm		7400	
DIMENSIONS			
Overall length, mm		11270	
Overall width, mm		3200	
Overall height of boom, mm		3200	
Overall height of cab, mm		3090	

key advantages

E300C

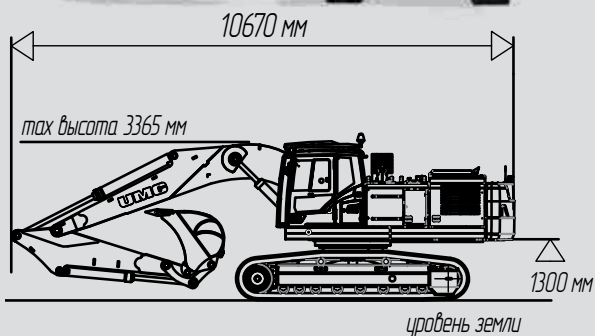


SPECIFICATIONS		E300C		
Track shoe width, mm		600	800	1000
Operating weight, t (stick 2,530 / 4,000 mm)		28,2 / 28,5	28,8 / 29,1	29,4 / 29,7
ENGINE				
Model		Deutz BF 6M 1013 FC		
Power, kW (hp)		178 (242) at 1,800 rpm 183 (245) at 2,000 rpm		
UNDERCARRIAGE				
Ground clearance, mm		520		
Max travel speed, kmph		5,2		
Ground pressure, kg/cm ²		0,65	0,5	0,41
WORKING RANGES & PARAMETERS				
Cycle, sec		15		
Stick, mm		2530*	4000	
Bucket capacity, m ³		1,25 / 1,5	1,0	
Max digging depth, mm		6645	8110	
Max digging reach, mm		10035	11470	
Max dumping height, mm		7460	8550	
DIMENSIONS				
Overall length, mm		9790	9620	
Overall width, mm		3000	3200	3400
Overall height of boom, mm		3400	4130	
Overall height of cab, mm		3180	3180	

* standard stick

key advantages

E330C



SPECIFICATIONS E330C

Track shoe width, mm	600	800	1000
Operating weight, t (stick 2,910 / 3,250 / 4,000 mm)	32,5 / 32,7 / 32,9	33,3 / 33,5 / 33,7	34,1 / 34,3 / 34,5

ENGINE

Model	CUMMINS KAMA QSL 8.9		
Power, kW (hp)	214 (290) 264 (361)		
	7,5		

UNDERCARRIAGE

Ground clearance, mm	528		
Max travel speed, kmph	4,1		
Ground pressure, kg/cm ²	0,67	0,51	0,42

WORKING RANGES & PARAMETERS

Cycle, sec	18		
Stick, mm	2910*	3250	4000
Bucket capacity, m ³	1,5...1,8**	1,25	1,1
Max digging depth, mm	7185	7525	8275
Max digging reach, mm	10550	10890	11640
Max dumping height, mm	7720	7945	8810

DIMENSIONS

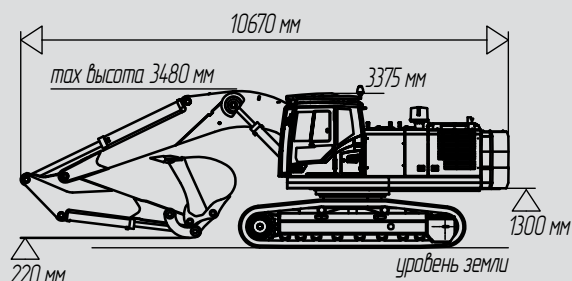
Overall length, mm	10610	10620	н.д.
Overall width, mm	3190	3390	3590
Overall height of boom, mm	3240	3240	н.д.
Overall height of cab, mm	3375	3375	3375

* standard stick

** bucket for materials with the density of up to 1,400 kg/m³

key advantages

E400C



SPECIFICATIONS E400C

Track shoe width, mm	600	800	1000
Operating weight, t (stick 2,910 / 3,250 / 4,000 mm)	38,0 38,2 38,4	38,8 39,0 39,2	39,6 39,8 40,0

ENGINE

Model	CUMMINS KAMA QSL 8.9		
Power, kW (hp)	264 (361) at 2,100 rpm		

UNDERCARRIAGE

Ground clearance, mm	528		
Max travel speed, kmph	4,1		
Ground pressure, kg/cm ²	0,78	0,6	0,49

WORKING RANGES & PARAMETERS

Cycle, sec	18		
Stick, mm	2910	3250	4000
Bucket capacity, m ³	1,81...2,05 / 2,2*	1,81	1,5
Max digging depth, mm	7300	н.д.	н.д.
Max digging reach, mm	10760	н.д.	н.д.
Max dumping height, mm	7950	н.д.	н.д.

DIMENSIONS

Overall length, mm	10625	н.д.	н.д.
Overall width, mm	3190	3390	3590
Overall height of boom, mm	3340	н.д.	н.д.
Overall height of cab, mm	3375	3375	3375

* standard stick

** bucket for materials with the density of up to 1,400 kg/m³

key advantages

ATTACHMENTS



Vibratory Hammer



Vibratory Rammer



Hydraulic Hammer



Loading Grab



Crusher Bucket



Digging Grab



Rotary Grinder

ATTACHMENTS

Versatility of our crawler excavators is ensured by the rich functionality built in the standard configuration, and a wide range of attachments for various tasks. Traditionally, all excavators get equipped with a bucket. We offer a wide choice of buckets for different operating requirements: trenching buckets, grading buckets, loader buckets, drainage buckets and many more. Practically all models can be equipped with additional attachments that will tailor UMG machines to the specific requirements of a customer's working needs: hydraulic hammers, rippers, clamshells, shears, hydraulic drills, mulcher and harvester

heads etc. UMG attachments enhance the productivity and utility of UMG machines providing system solutions for any job application: construction, peat mining, digging drains and cleaning channels, land clearing, log loading/unloading, soil ripping and loosening, vegetation clearing, soil aeration etc.

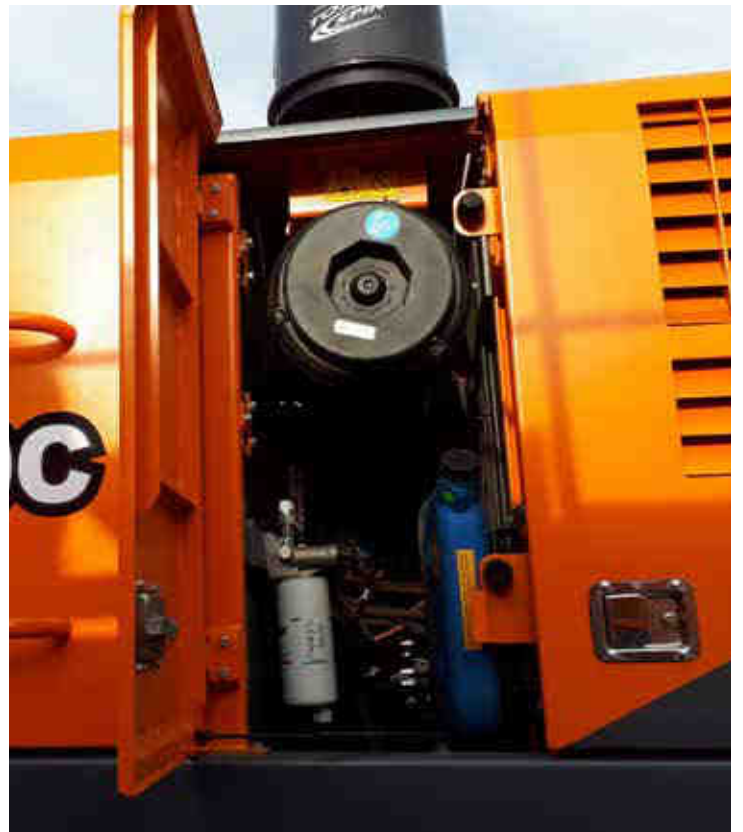
The standard configuration includes the minimum kit of hydraulic components and controls to ensure connection of attachments and heads. For easy and quick interchanging, the excavators can be equipped with mechanical quick couplers. Hydraulic units are also available as an option.

SERVICE & MAINTENANCE



EASY MAINTENANCE

All service checks are accessible at ground level, the hood systems provide full access to make daily checks easy and quick, ensuring less idle time of the machine and enhanced productivity.



UMG

CONSTRUCTION
EQUIPMENT

MADE IN RUSSIA



Matera